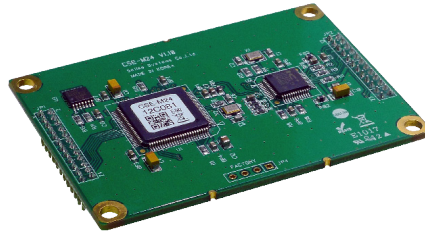


CSE-M24

(Embedded Serial to Ethernet Converter)



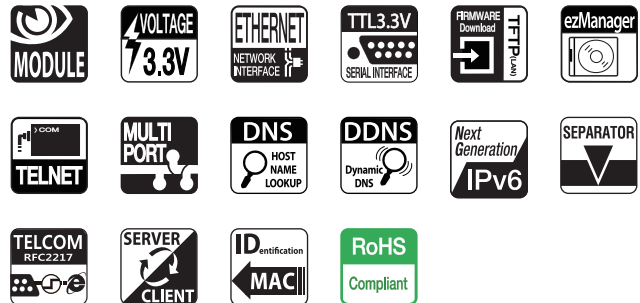
Overview

CSE-M24 is an embedded serial to Ethernet module which is pin compatible with EZL-410. This module basically provides conversion functions to remotely control and manage 4 serial devices over Ethernet. CSE-M24 is the perfect solution for those who plan to move forward to next generation Internet protocol, IPv6. This embedded serial to Ethernet comes preloaded with basic communication functions(TCP, UDP, etc.) along with a packet fragmentation separator so that it can be used diverse applications. This serial to Ethernet has a high speed(up to 460,800bps) UART port which can be extended to RS232/RS422/RS485 in accordance with users environment.

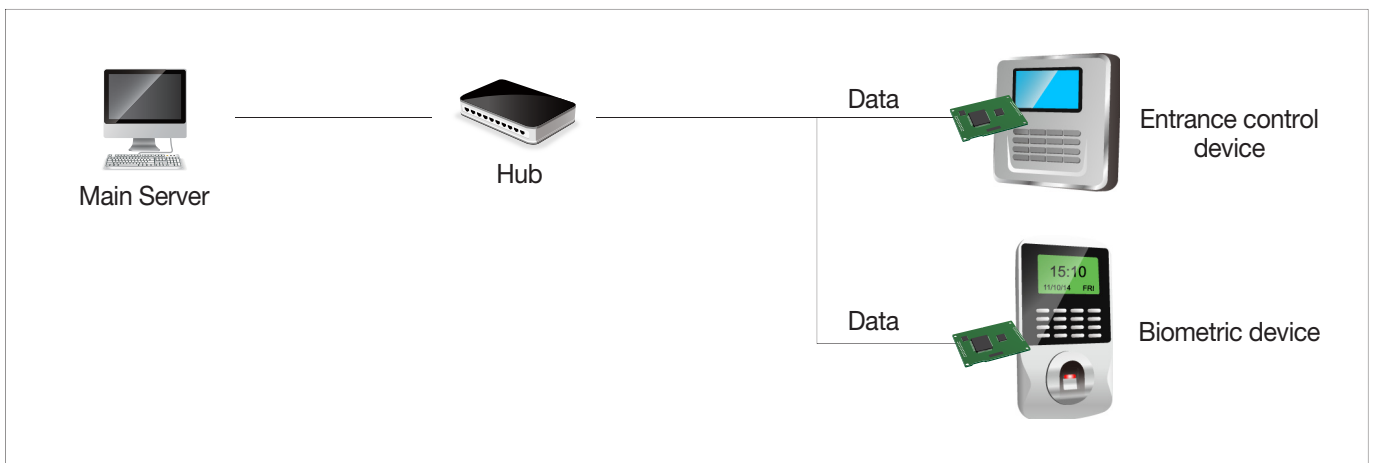
Highlights

- 10/100Base Ethernet connection for serial devices
- Pin compatible with EZL-410 (70mm x 50mm x 9mm)
- 4 UART ports (3.3V TTL, up to 460,800bps)
- IPv4 / IPv6 dual stack
- Stateless / Stateful (DHCPv6) address autoconfiguration
- Separator settings for packet fragmentation

Icons



Applications



Specifications

Serial Physical Interface

Serial Interface	4 X UART (3.3V TTL)
	RXD, TXD, RTS (TXDE for RS485), CTS
Connector	2 X 12 2mm pitch pin header X 2

Serial Port Properties

Baudrate	300bps ~ 460,800bps (300bps ~ 230,400bps in RS485 and Xon/Xoff)
Data Bits	8bits, 7bits with parity
Parity	None, Even, Odd, Mark, Space
Stop Bit	1, 1.5, 2

Network Physical Interface

Network Interface	10Base-T/100Base-TX Ethernet
	Ethernet Speed Auto Sense
	1:1 or Cross-over Cable Auto Sense
	Simple External Circuit Required

Software Functions

Protocols	IPv4/IPv6 dual stack, ICMPv6/TCPv6/UDPv6
	TCP, UDP, IP, ICMP, ARP, TELNET
	DHCP, PPPoE, DNS, DDNS
Security	IP & MAC filtering - Restrict host or network
	Password for Configuring
Communication Mode	TCP Server (T2S)
	TCP Client (COD)
	TCP Server/Client with AT command (ATC) - Patent
	UDP Mode (U2S)
Additional Functions	Separator settings for packet fragmentation
	TCP Server/Client Mode
	Sending MAC address Option

Management

ezManager	Configuration and Monitoring Tool through Network and Serial
Telnet	Telnet Login
AT Command	Configuring in ATC mode - Patent

Supplementary Software

ezManager	Configuration Tool for Windows
ezVSP	Serial to Network Virtual Driver for Windows
ezTerm	Simple TCP/IP Communication Test Tool

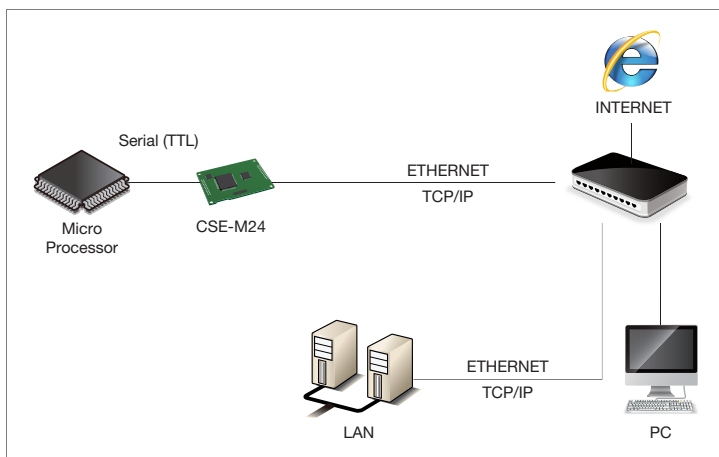
Dimension

Size	70mm x 50mm x 9mm
-------------	-------------------

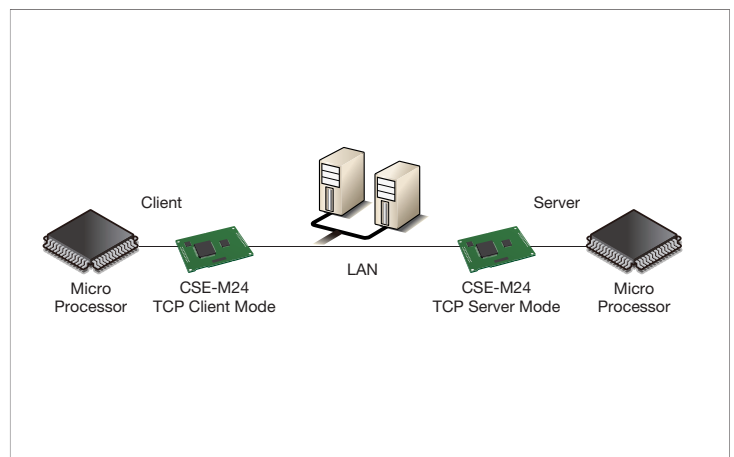
Operating Environment

Input Voltage	DC 3.3V
Current Consumption	270mA typical
Operating Temperature	0°C ~ +70°C
Storage Temperature	-40°C ~ +85°C

System Diagram



Serial Device Server



Serial Tunnelling